

GENERAL NOTES:

BASIS OF DESIGN:

1- REINFORCED CONCRETE:

FOR R.C ELEMENTS USE:

- * $f_c=45$ MPa. FOR COLUMNS , BASEMENT WALLS, SHEAR WALLS & RAFT FOUNDATION
- * $f_c=35$ MPa. FOR OTHERS (SLABS,RAMPS,BEAMS,ETC...)
- * $f_c=14$ MPa. FOR BLINDING
- MINIMUM CEMENT CONTENT:350Kg/m³

CONCRETE PROTECTIVE COVER FOR ANY REINFORCEMENT SHALL BE AS FOLLOWS:

- a-SLABS,RIBS,FLAT BEAMS AND WALLS NOT EXPOSED TO EARTH OR WEATHER: 4 cm.
- b-FAIRFACED CONCRETE EXPOSED TO WEATHER: 4 cm.
- c-DROP BEAMS AND COLUMNS: 4 cm.
- d-FOUNDATIONS: 7 cm. top face, 10 cm. bottom face
- e-BASEMENTS WALLS: 5 cm. internal face, 10 cm. external face

2- REINFORCEMENTS:

- * YIELDING STRESS OF MILD STEEL: $f_y=240$ MPa.
- * YIELDING STRESS OF HIGH TENSILE STEEL: $F_y=500$ MPa.

LEGEND:

- F.L: FINISHED FLOOR LEVEL.
- C.L: CONCRETE LEVEL.
- STRUCTURAL COLUMN OR WALL TO CONTINUE.
- STRUCTURAL COLUMN OR WALL TO START.
- STRUCTURAL COLUMN OR WALL TO STOP.
- ARCHITECTURAL COLUMN OR WALL.
- SUNKEN SLAB.

BUREAU D'ETUDES
RODOLPHE MATTAR SARL
 C.I.S. BUILDING - 72, MAIN ROAD, JAL EL DIB.
 Email : info@rodolphemattar.com
 PHONE/FAX (9614) 406326 P.O.BOX 70-1035 ANTELIAS LEBANON

BERNARD KHOURY ARCHITECTES
 IMM. SOCIETE LIBANAISE POUR LES METAUX
 3ème ETAGE RUE 56 SECTEUR JISR 77
 LA QUARANTAINE BEYROUTH 2077 7209 LIBAN
 TEL: +961 (0)1-570 670 - FAX: +961 (0)1-570 770
 E-MAIL: mailbox@bernardkhoury.com

STRUCTURAL SHOP DRAWINGS

 VERTEXGROUP.COM.CO
 Tripoli-Maarad-MEA Bldg-10th floor Tel : 06-205 504

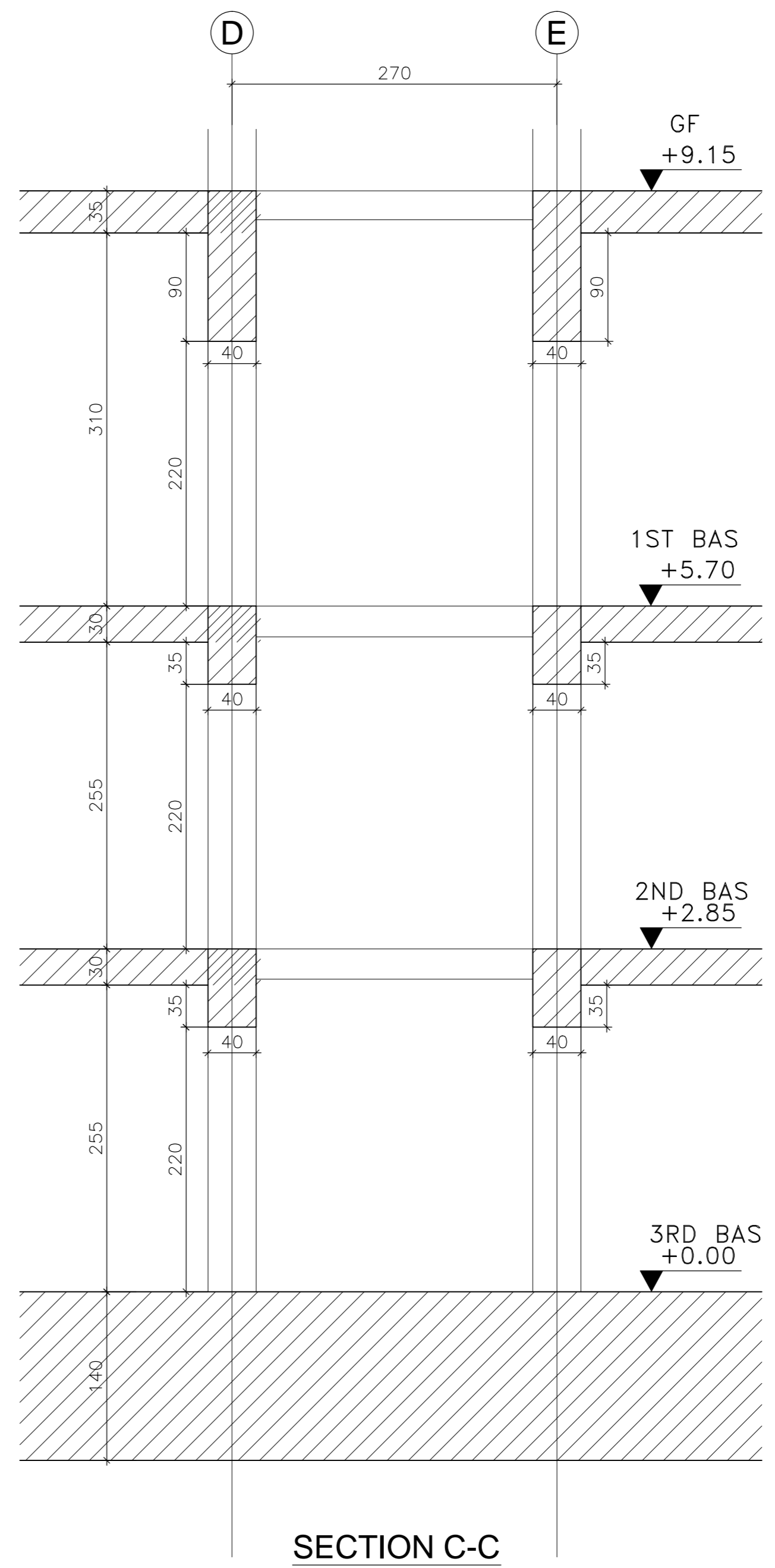
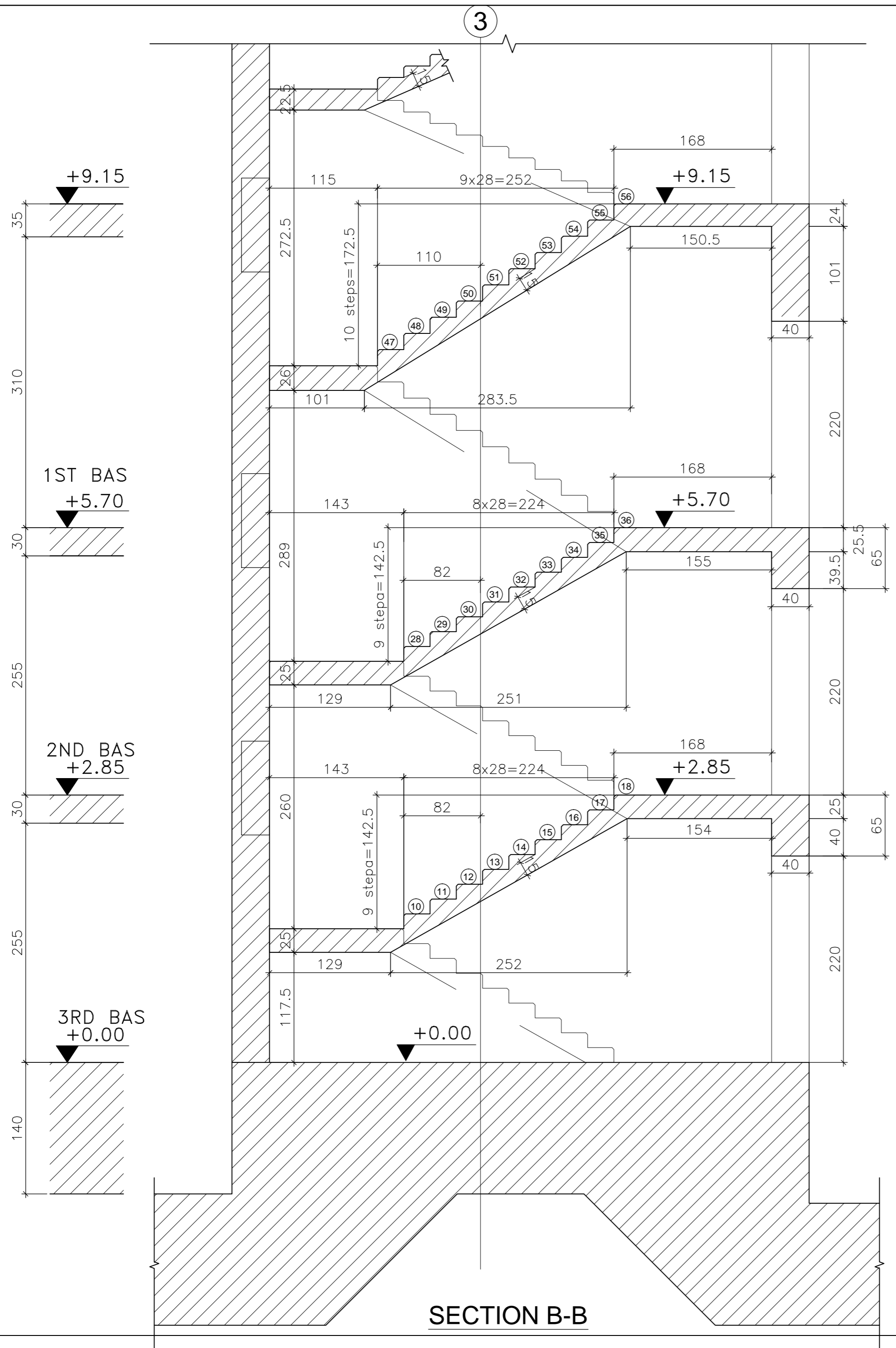
PROJECT: **DOGHMOSH LOT38**

PHASE: Shop Drawing

DRAWING NUMBER & TITLE: **DGM-S-SD-602A**

STAIRS-SECTIONS&DETAILS FROM BAS TO GF (1/4)

Dwg. Reference:		Revision Number :
C404-STAIRS		0
Format	Scale	Revision Issue Date :
A1	AS SHOWN	25-03-2013



GENERAL NOTES:

BASIS OF DESIGN:

1- REINFORCED CONCRETE:
 FOR R.C ELEMENTS USE:
 * $f_c=45$ MPa. FOR COLUMNS , BASEMENT WALLS, SHEAR WALLS & RAFT FOUNDATION
 * $f_c=35$ MPa. FOR OTHERS (SLABS,RAMPS,BEAMS,ETC...)
 * $f_c=14$ MPa. FOR BLINDING
 MINIMUM CEMENT CONTENT:350Kg/m³

CONCRETE PROTECTIVE COVER FOR ANY REINFORCEMENT SHALL BE AS FOLLOWS:




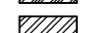
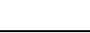
a-SLABS,RIBS,FLAT BEAMS AND WALLS NOT EXPOSED TO EARTH OR WEATHER: 4 cm.
 b-FAIRFACED CONCRETE EXPOSED TO WEATHER: 4 cm.
 c-DROP BEAMS AND COLUMNS: 4 cm.
 d-FOUNDATIONS: 7 cm. top face
 10 cm. bottom face
 e-BASEMENTS WALLS: 5 cm. internal face
 10 cm. external face

2- REINFORCEMENTS:

* YIELDING STRESS OF MILD STEEL:
 $f_y=240$ MPa.
 * YIELDING STRESS OF HIGH TENSILE STEEL:
 $F_y=500$ MPa.

LEGEND:


F.L: FINISHED FLOOR LEVEL.
 C.L: CONCRETE LEVEL.

 STRUCTURAL COLUMN OR WALL TO CONTINUE.
 STRUCTURAL COLUMN OR WALL TO START.
 STRUCTURAL COLUMN OR WALL TO STOP.
 ARCHITECTURAL COLUMN OR WALL.
 SUNKEN SLAB.

BUREAU D'ETUDES SARL
RODOLPHE MATTAR
 C.I.S. BUILDING - 72, MAIN ROAD, JAL EL DIB.
 Email : info@rodolphemattar.com
 PHONE/FAX (9614) 406326 P.O.BOX 70-1035 ANTELIAS LEBANON

BERNARD KHOURY ARCHITECTES
 IMM. SOCIETE LIBANAISE POUR LES METAUX
 3ème ETAGE RUE 56 SECTEUR JISR 77
 LA QUARANTAINE BEYROUTH 2077 7209 LIBAN
 TEL: +961 (0)1-570 670 - FAX: +961 (0)1-570 770
 E-MAIL: mailbox@bernardkhoury.com

STRUCTURAL SHOP DRAWINGS



VERTEXGROUP.COM.CO
 Tripoli-Maarad-MEA Bldg-10th floor Tel : 06-205 504

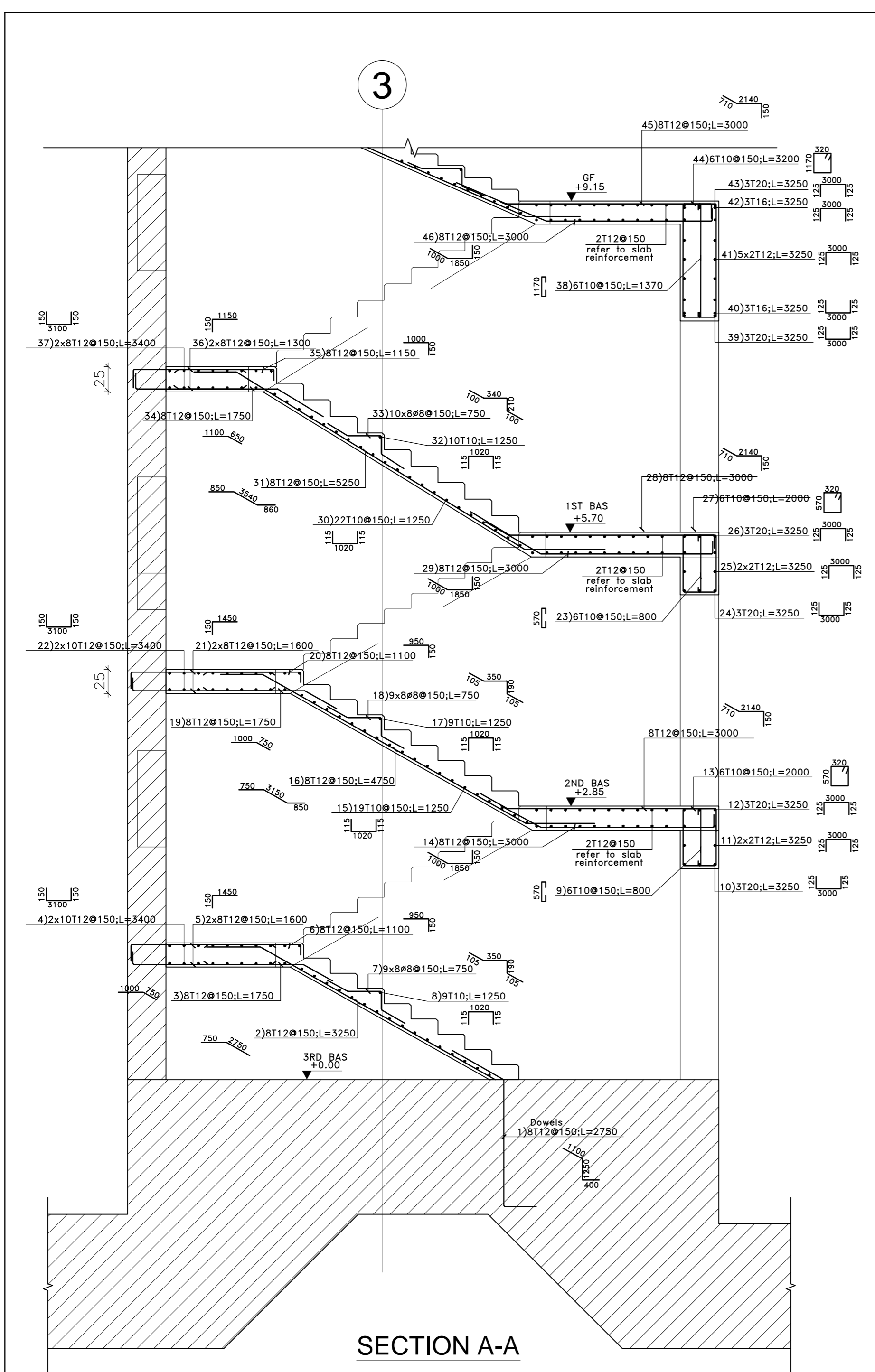
PROJECT: **DOGHMOSH LOT38**

PHASE: Shop Drawing

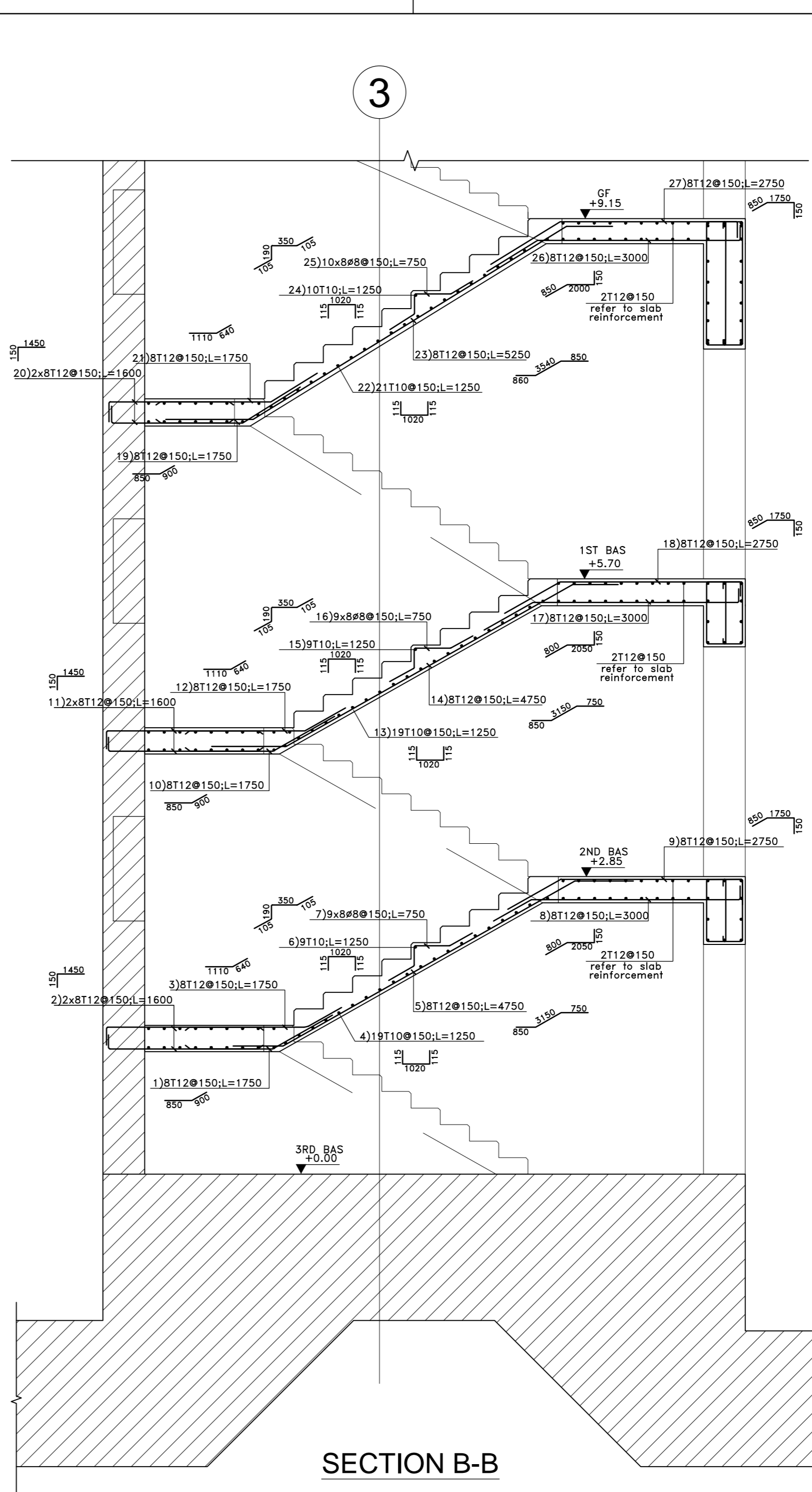
DRAWING NUMBER & TITLE: **DGM-S-SD-602B**

STAIRS-SECTIONS&DETAILS FROM BAS TO GF (2/4)

Dwg. Reference: C404-STAIRS	Revision Number : 0
Format A1	Scale 1/25
Revision Issue Date : 25-03-2013	



SECTION A-A



SECTION B-B

GENERAL NOTES:

BASIS OF DESIGN:

1- REINFORCED CONCRETE:

FOR R.C ELEMENTS USE:

- * $f_c=45$ MPa. FOR COLUMNS, BASEMENT WALLS, SHEAR WALLS & RAFT FOUNDATION
- * $f_c=35$ MPa. FOR OTHERS (SLABS,RAMPS,BEAMS,ETC...)
- * $f_c=14$ MPa. FOR BLINDING

MINIMUM CEMENT CONTENT:350Kg/m³

CONCRETE PROTECTIVE COVER FOR ANY REINFORCEMENT SHALL BE AS FOLLOWS:

- a-SLABS,RIBS,FLAT BEAMS AND WALLS NOT EXPOSED TO EARTH OR WEATHER: 4 cm.
- b-FAIRFACED CONCRETE EXPOSED TO WEATHER: 4 cm.
- c-DROP BEAMS AND COLUMNS: 4 cm.
- d-FOUNDATIONS: 7 cm. top face
10 cm. bottom face
- e-BASEMENTS WALLS: 5 cm. internal face
10 cm. external face

2- REINFORCEMENTS:

- * YIELDING STRESS OF MILD STEEL: $f_y=240$ MPa.
- * YIELDING STRESS OF HIGH TENSILE STEEL: $F_y=500$ MPa.

LEGEND:

- F.L: FINISHED FLOOR LEVEL.
- C.L: CONCRETE LEVEL.

- STRUCTURAL COLUMN OR WALL TO CONTINUE.
- STRUCTURAL COLUMN OR WALL TO START.
- STRUCTURAL COLUMN OR WALL TO STOP.
- ARCHITECTURAL COLUMN OR WALL.
- SUNKEN SLAB.

BUREAU D'ETUDES SARL
RODOLPHE MATTAR
 C.I.S. BUILDING - 72, MAIN ROAD, JAL EL DIB.
 Email : info@rodolphemattar.com
 PHONE/FAX (9614) 406326 P.O.BOX 70-1035 ANTELIAS LEBANON

BERNARD KHOURY ARCHITECTES
 IMM. SOCIETE LIBANAISE POUR LES METAUX
 3eme ETAGE RUE 56 SECTEUR JISR 77
 LA QUARANTAINE BEYROUTH 2077 7209 LIBAN
 TEL: +961 (0)1-570 670 - FAX: +961 (0)1-570 770
 E-MAIL: mailbox@bernardkhoury.com

STRUCTURAL SHOP DRAWINGS

VERTEXGROUP.COM.CO
 Tripoli-Maarad-MEA Bldg-10th floor Tel : 06-205 504

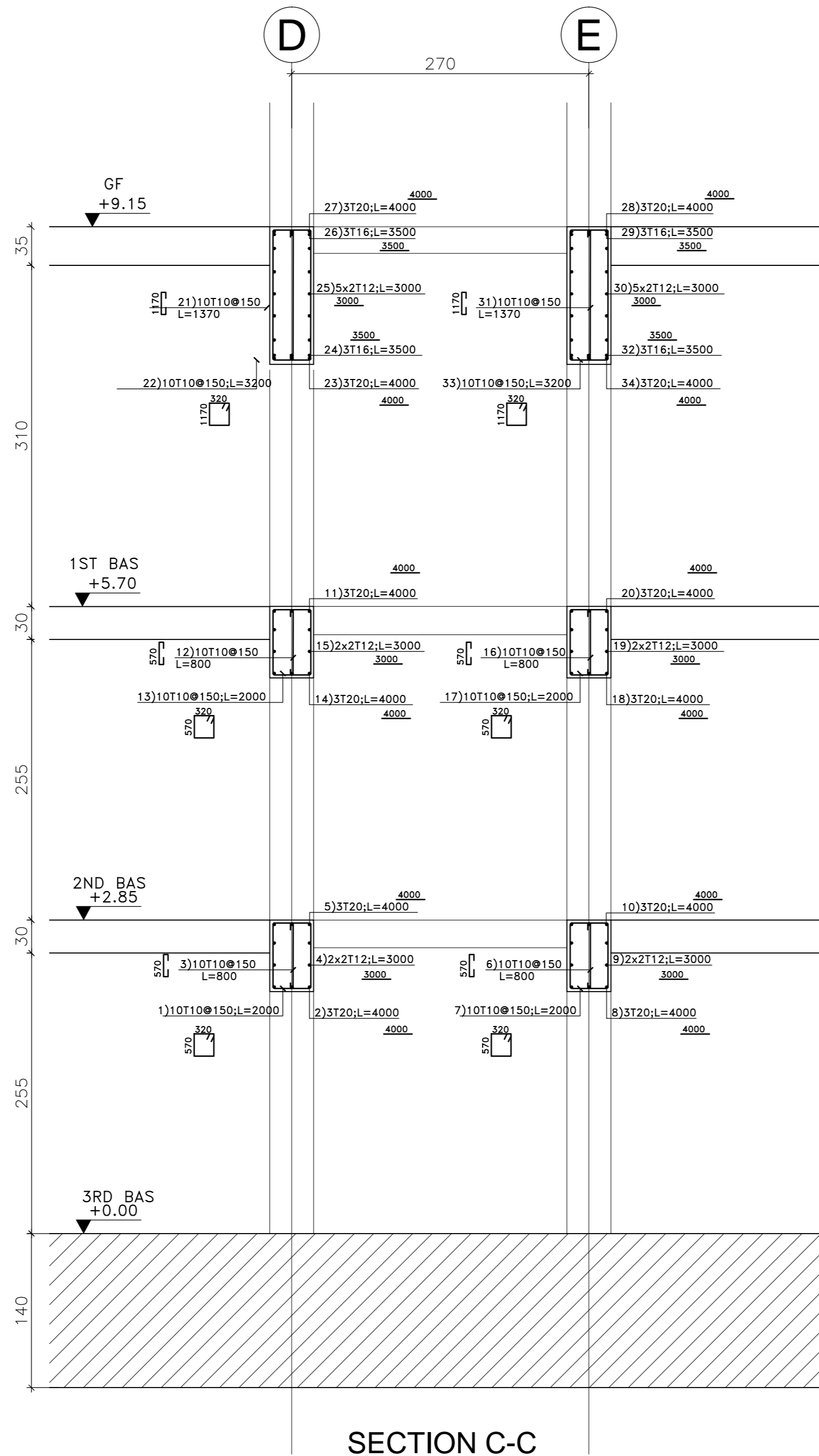
PROJECT: **DOGHMOSH LOT38**

PHASE: Shop Drawing

DRAWING NUMBER & TITLE: **DGM-S-SD-602C**

STAIRS REINFORCEMENT FROM BAS TO GF (3/4)

Dwg. Reference:	Revision Number :
C404-STAIRS	0
Format	Revision Issue Date :
A1	25-03-2013



SECTION C-C

GENERAL NOTES:

BASIS OF DESIGN:

1- REINFORCED CONCRETE:

FOR R.C ELEMENTS USE:

- * $f_c=45$ MPa. FOR COLUMNS , BASEMENT WALLS, SHEAR WALLS & RAFT FOUNDATION
- * $f_c=35$ MPa. FOR OTHERS (SLABS,RAMPS,BEAMS,ETC...)
- * $f_c=14$ MPa. FOR BLINDING
- MINIMUM CEMENT CONTENT:350Kg/m³

CONCRETE PROTECTIVE COVER FOR ANY REINFORCEMENT SHALL BE AS FOLLOWS:

- a-SLABS,RIBS,FLAT BEAMS AND WALLS NOT EXPOSED TO EARTH OR WEATHER: 4 cm.
- b-FAIRFACED CONCRETE EXPOSED TO WEATHER: 4 cm.
- c-DROP BEAMS AND COLUMNS: 4 cm.
- d-FOUNDATIONS: 7 cm. top face
10 cm. bottom face
- e-BASEMENTS WALLS: 5 cm. internal face
10 cm. external face

2- REINFORCEMENTS:

- * YIELDING STRESS OF MILD STEEL:
 $f_y=240$ MPa.
- * YIELDING STRESS OF HIGH TENSILE STEEL:
 $F_y=500$ MPa.

LEGEND:

- F.L: FINISHED FLOOR LEVEL.
- C.L: CONCRETE LEVEL.

- STRUCTURAL COLUMN OR WALL TO CONTINUE.
- STRUCTURAL COLUMN OR WALL TO START.
- STRUCTURAL COLUMN OR WALL TO STOP.
- ARCHITECTURAL COLUMN OR WALL.
- SUNKEN SLAB.

BUREAU D'ETUDES

RODOLPHE MATTAR
 C.I.S. BUILDING - 72, MAIN ROAD, JAL EL DIB.
 Email : info@rodolphemattar.com
 PHONE/FAX (9614) 406326 P.O.BOX 70-1035 ANTELIAS LEBANON

BERNARD KHOURY ARCHITECTES
 IMM. SOCIETE LIBANAISE POUR LES METAUX
 3ème ETAGE RUE 56 SECTEUR JISR 77
 LA QUARANTAINE BEYROUTH 2077 7209 LIBAN
 TEL: +961 (0)1-570 670 - FAX: +961 (0)1-570 770
 E-MAIL: mailbox@bernardkhoury.com

STRUCTURAL SHOP DRAWINGS

 VERTEXGROUP.COM.CO
 Tripoli-Maarad-MEA Bldg-10th floor Tel : 06-205 504

PROJECT: **DOGHMOSH LOT38**

PHASE: Shop Drawing

DRAWING NUMBER & TITLE: **DGM-S-SD-602D**

STAIRS REINFORCEMENT FROM BAS TO GF (4/4)

Dwg. Reference: C404-STAIRS		Revision Number : 0
Format A1	Scale 1/25	Revision Issue Date : 25-03-2013